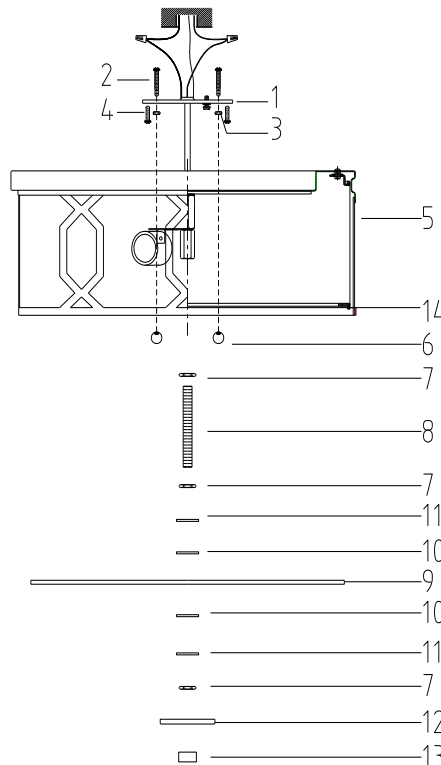




ASSEMBLY AND INSTALLATION INSTRUCTIONS for the **228131** Fixture

Important Safety information (Please read before proceeding)

1. Remove the fixture, parts and all mounting hardware bags (orange) from the carton and verify that all parts are present according to the illustration sheet. All parts must be used as indicated. Do not replace any parts, leave any parts out, or use any parts which are worn out or broken. **Failure to follow the instructions could cause a hazardous situation, voids the warranty and violates the U.L. listing of the fixture.**
2. To prevent the electric shock, turn off the main power at the circuit breaker before installing the fixture. **NEVER attempt to install, clean or replace bulbs without shutting off the electricity to the fixture.**
3. **Never use light bulbs with wattage ratings that exceed the fixtures maximum rating.** Always make sure the electric current is turned off before changing the bulbs.
4. If you experience difficulties installing the lighting fixture or it fails to work as expected, please contact a local qualified licensed electrical contractor.
5. Please contact your local Capital Lighting Fixture reseller with any assembly or installation questions. Your local reseller can also provide you with replacement parts for your new fixture.



Components

1. Mounting Bar w/Green Screw
2. Mounting Screws
3. Hex Nuts (8/32)
4. Outlet Box Mounting Screws
5. Canopy Assembly
6. Ball Knobs
7. Hex Nut
8. Nipple
9. Glass Diffuser
10. Rubber Washer
11. Flat Washer
12. Final Cap
13. Finial
14. Fabric Shade

Assembly Instructions for the 228131 fixture

1. Find appropriate threaded holes on Mounting Bar (1), and assemble Mounting Screws (2) into threaded holes with Hex Nuts (3).
2. Attach Mounting Bar (1) to Outlet Box with Outlet Box Mounting Screws (4).
3. Raise Fixture (5) toward outlet box, then connect fixture ground wire to outlet box ground wire with wire connector supplied; connect white fixture wire to the white power supply wire with wire connector supplied; connect black fixture wire to the black power supply wire with wire connector supplied.
4. Push Fixture (5) to ceiling, carefully passing Mounting Screws (2) through holes in Canopy of Fixture (5), then verify all wires are securely inside Canopy of Fixture (5). Finally, secure Fixture (5) to ceiling with Ball Knobs (6).
5. Screw Nipple (8) with top Hex Nut (7) onto Coupling of Fixture (5) bottom tightly, then adjust bottom Hex Nut (7) of Nipple (8) to proper position.
6. Insert recommended bulb per wattage label indicated onto Socket.
7. Put one set of Flat Washer (11) and Rubber Washer (10) onto top of Glass Diffuser (9), make sure the holes are in line, then raise Glass Diffuser (9) with another set of Rubber Washer (10) and Flat Washer (11) over end of Nipple (8). After that, secure Glass Diffuser (9) to bottom of Fabric Shade (14) with Hex Nut (7) tightly. (DO NOT over tighten.)
8. Raise Finial Cap (12) over end of Nipple (8), then secure it with Finial (13). (DO NOT over tighten.)